

# KITO X-SERIES

steel pedestal collection



Collection by  
**O.plan**<sup>®</sup>





# Kito Pedestals

Manufactured from the highest quality steel, using the latest robotic technology, our X-Series has been carefully engineered to meet modern requirements of space and ergonomics.







### **precision manufacturing**

The use of CNC machines allows for very precise measurement and cutting, optimisation of manufacturing processes and repeatability. Our technological halls have welding robots, detail-polishing machines, 3D laser cutters and an automatic painting line.

### **test certified to:**

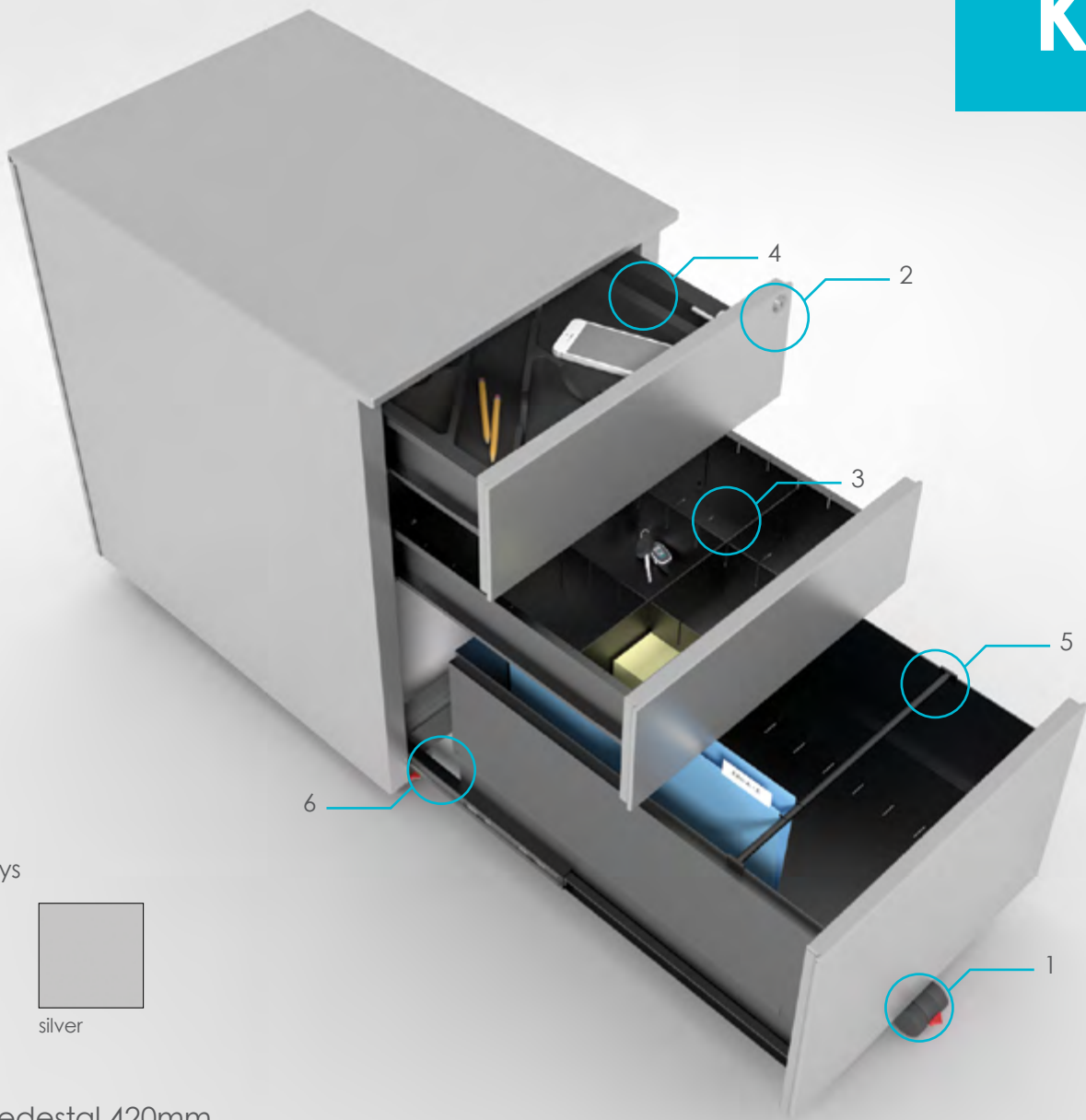
- EN 14073-2: 2004, part 3.4
- EN 14073-3: 2004, part 5.4
- EN 14074: 2004, part 6.2.1
- EN 14074: 2004, part 6.2.2
- EN 14074: 2004, part 6.2.3
- EN 14074: 2004, par. 6.2.4
- EN 14074: 2004 par. 6.7
- EN 14073-3: 2004, par. 5.5
- UNI 8606: 1984

### **quality guarantee**

All our pedestals are manufactured in Europe under strict quality guidelines allowing us to offer an impressive guarantee period of 10 years for faulty materials and workmanship. With investment comes piece of mind.







colourways



white



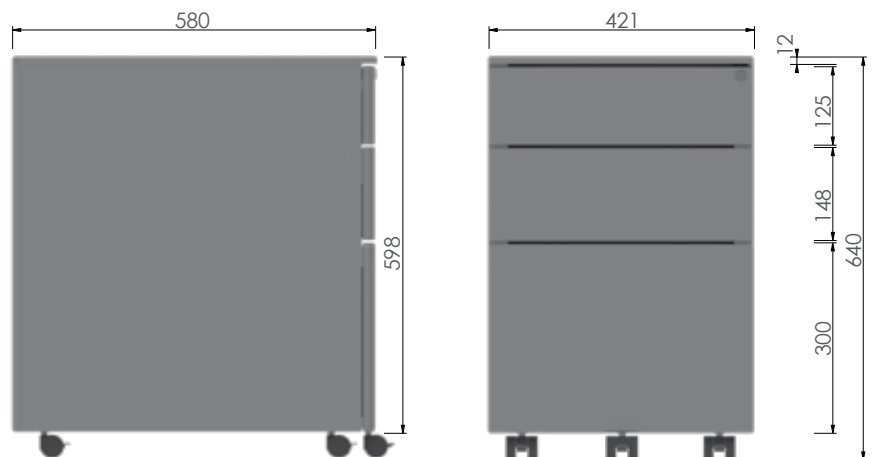
silver

metal pedestal 420mm

- 1 Fifth wheel on filing drawer for additional stability
- 2 Master-key series, central locking
- 3 **Optional** landscape & portrait drawer dividers
- 4 **Optional** pen tray
- 5 Adjustable filing bar for FC or A4 files
- 6 Heavy duty ball bearing runners - 110% extension

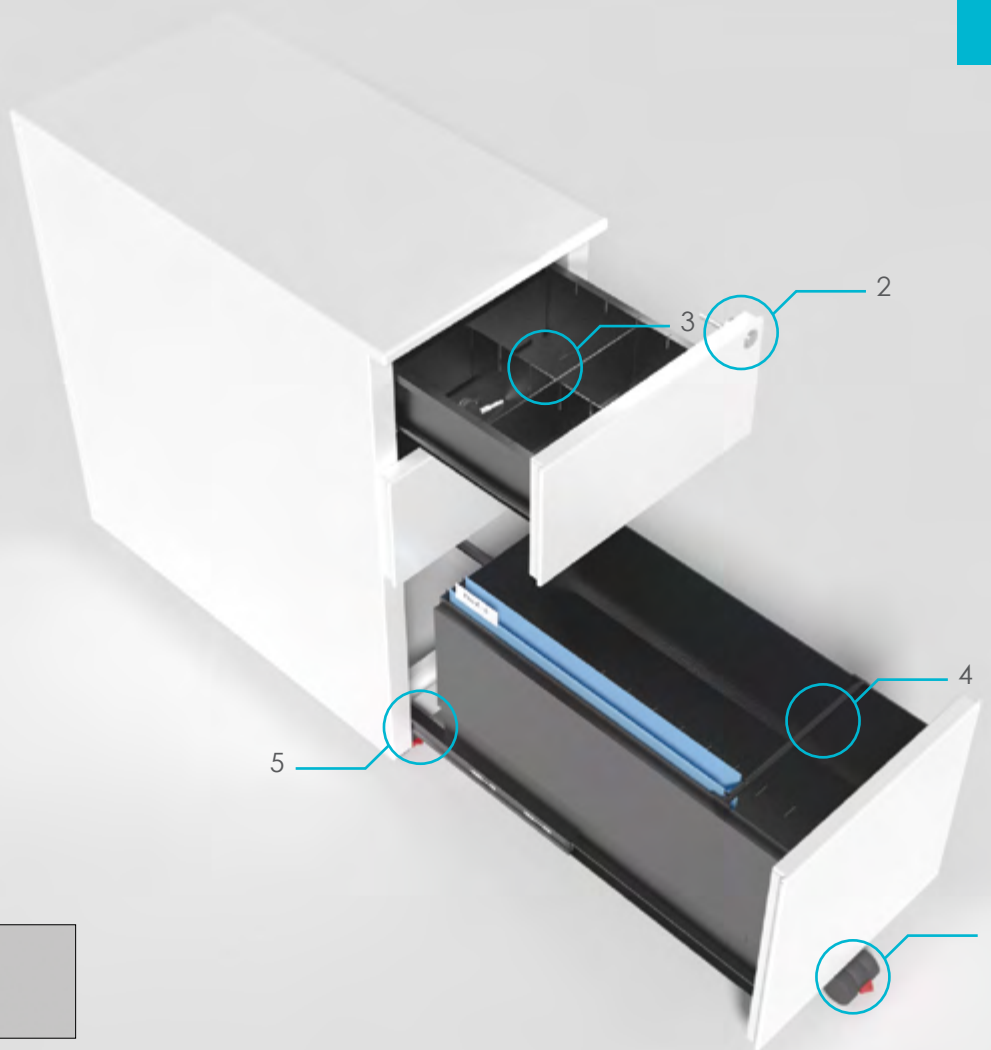
10 Year Guarantee

dimensions





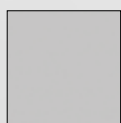




colourways



white



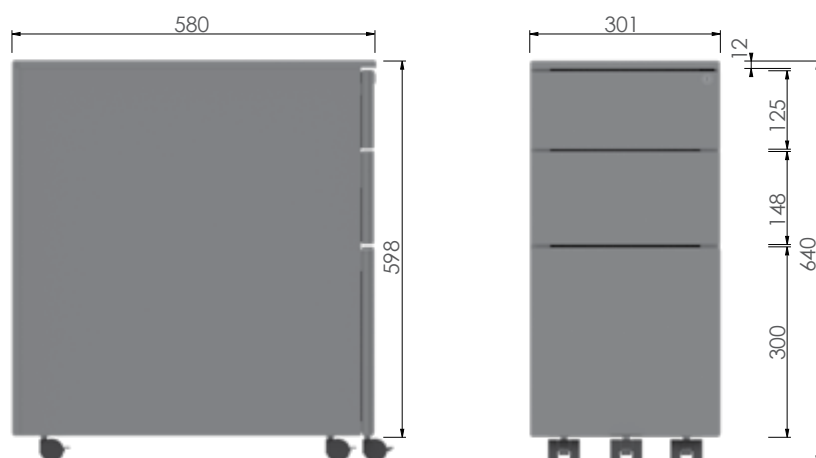
silver

metal pedestal 300mm

- 1 Fifth wheel on filing drawer for additional stability
- 2 Master-key series, central locking
- 3 **Optional** landscape & portrait drawer dividers
- 4 Adjustable filing bar for FC or A4 files
- 5 Heavy duty ball bearing runners - 110% extension

## 10 Year Guarantee

dimensions





## 10 Year Guarantee

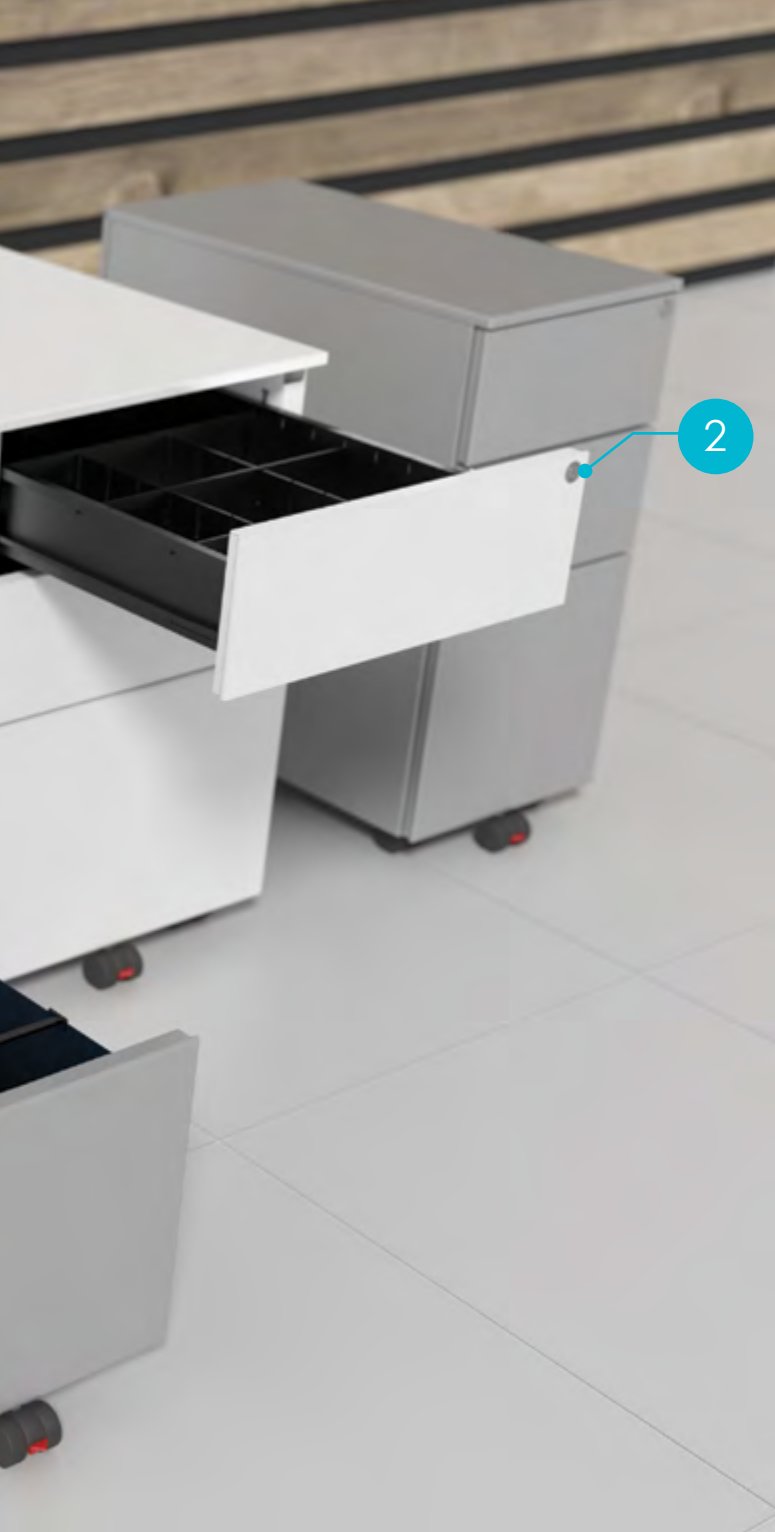
### 2 Master-key series, central locking

All pedestals are supplied with two grey master series flexi keys by Meroni.

The blue key is a master-key and will open all locks.

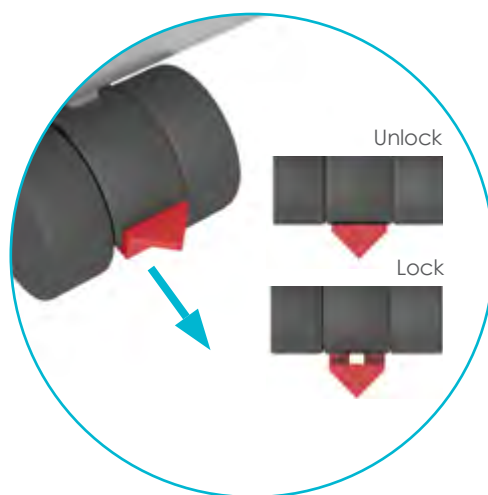
The red removal key can be used to swap the lock barrel to a new one with a set of 2 new keys.





## 1 Fifth wheel on filing drawer for additional stability

All pedestals are supplied with 5 lockable castors the fifth castor being positioned under the filing drawer to aid stability and ease of opening. Simply pull forward the red section and the wheel will lock, especially useful when the pedestal is in placed on hard wood or concrete flooring.







## 10 Year Guarantee



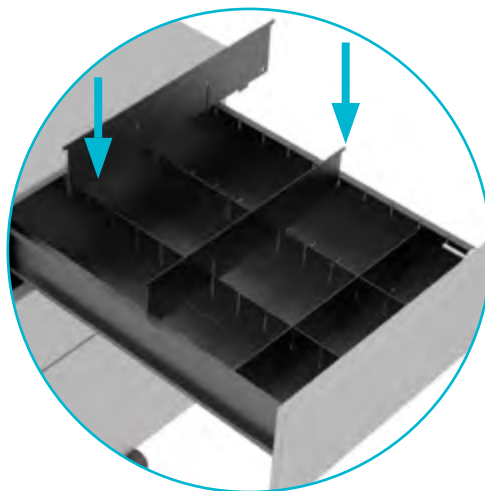
### **6 Heavy duty ball bearing runners - 110% extension**

We use heavy duty certified ball bearing runners on all filing drawers. Our runners extend to 110% allowing the drawer to pull open completely clear of the pedestal body for easy access and file placement.



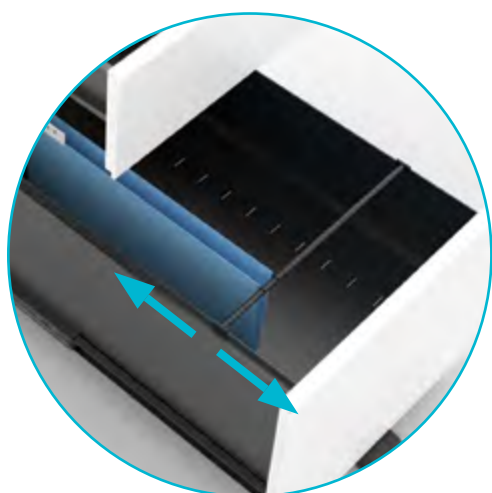
### 3 Optional landscape & portrait drawer dividers

Our drawer divider system allows you to divide the drawer into various cube shapes.



### 4 Optional pen tray

Pen trays can be added to the top or middle drawers, useful for organising your stationery.



### 5 Heavy duty adjustable filing bar

Our heavy duty adjustable filing bar adjusts to fit a wide range of hanging files.



**Switch**

A perfect partner to KITO X-SERIES  
steel pedestals.





